



SITESCAPES

2401 Production Dr  
Roca, NE 68430

PF: 402/421-9464  
FX: 402/421-9479

WEBSITE: [www.sitescapesonline.com](http://www.sitescapesonline.com)  
E-MAIL: [info@sitescapesonline.com](mailto:info@sitescapesonline.com)

SHEET 1 OF 2

TITLE  
*ARLINGTON  
BACKED BENCH*

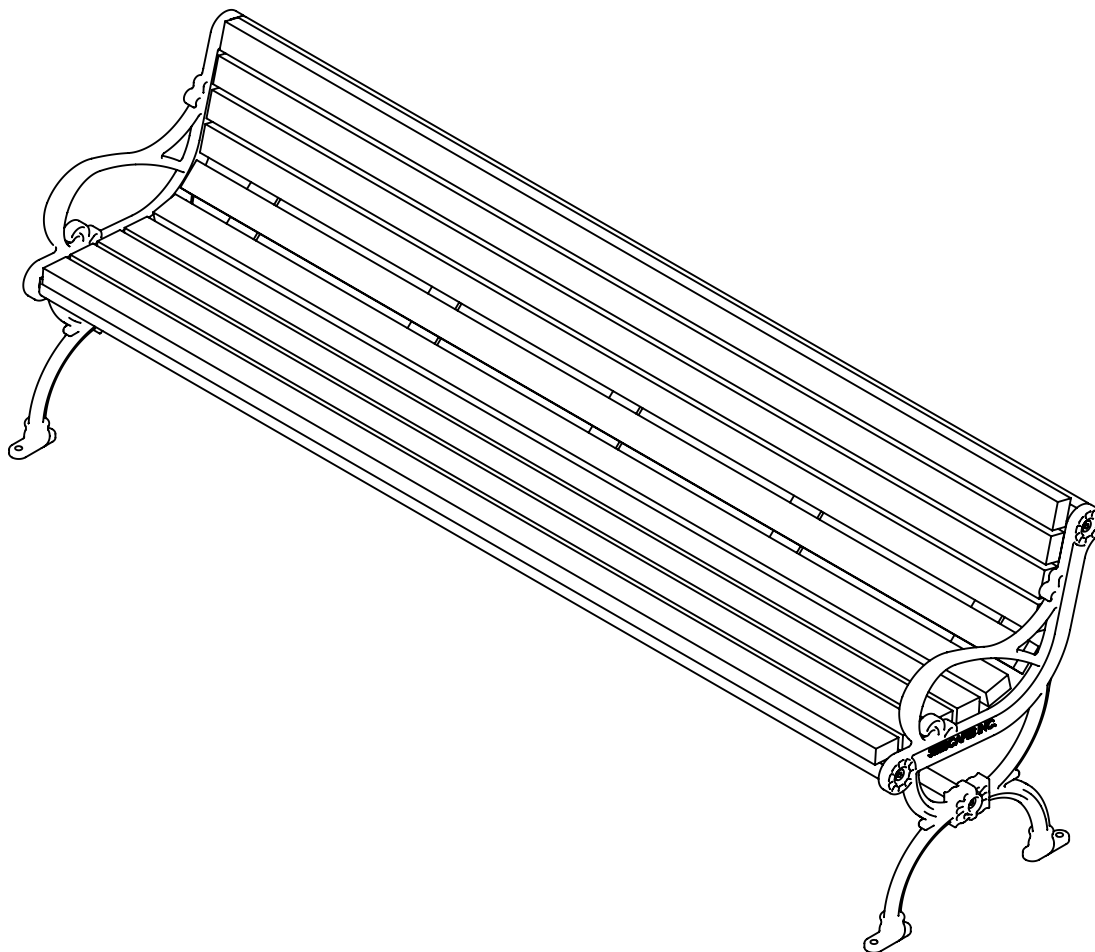
PRODUCT NO.  
*AR1-2200*

INCH TOLERANCES U.O.S.

FRACTION--  $\pm 1/16"$   
ANG-----  $\pm 1^\circ$

THE INFORMATION CONTAINED IN THIS DRAWING IS THE SOLE PROPERTY OF SITESCAPES, INC. ANY REPRODUCTION IN PART OR AS A WHOLE WITHOUT THE WRITTEN PERMISSION OF SITESCAPES, INC. IS PROHIBITED.

\*Available in powder coat and DuraCoat finishes





# SITESCAPES

2401 Production Dr  
Roca, NE 68430

PF: 402/421-9464  
FX: 402/421-9479

WEBSITE: [www.sitescapesonline.com](http://www.sitescapesonline.com)  
E-MAIL: [info@sitescapesonline.com](mailto:info@sitescapesonline.com)

SHEET 2 OF 2

TITLE *ARLINGTON  
BACKED BENCH*

PRODUCT NO.  
*AR1-2200*

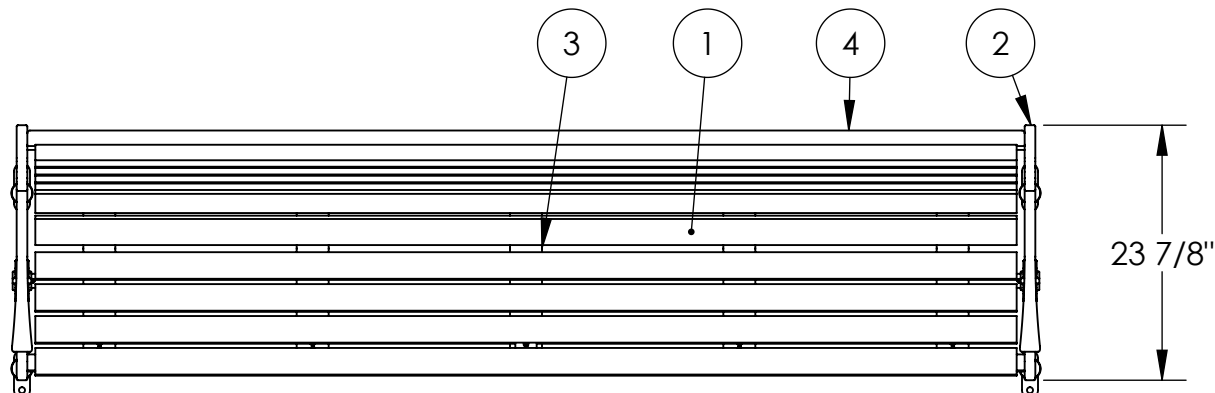
FRACTION--  $\pm 1/16"$   
ANG-----  $\pm 1^\circ$

THE INFORMATION CONTAINED IN THIS DRAWING IS THE SOLE PROPERTY OF SITESCAPES, INC. ANY REPRODUCTION IN PART OR AS A WHOLE WITHOUT THE WRITTEN PERMISSION OF SITESCAPES, INC. IS PROHIBITED.

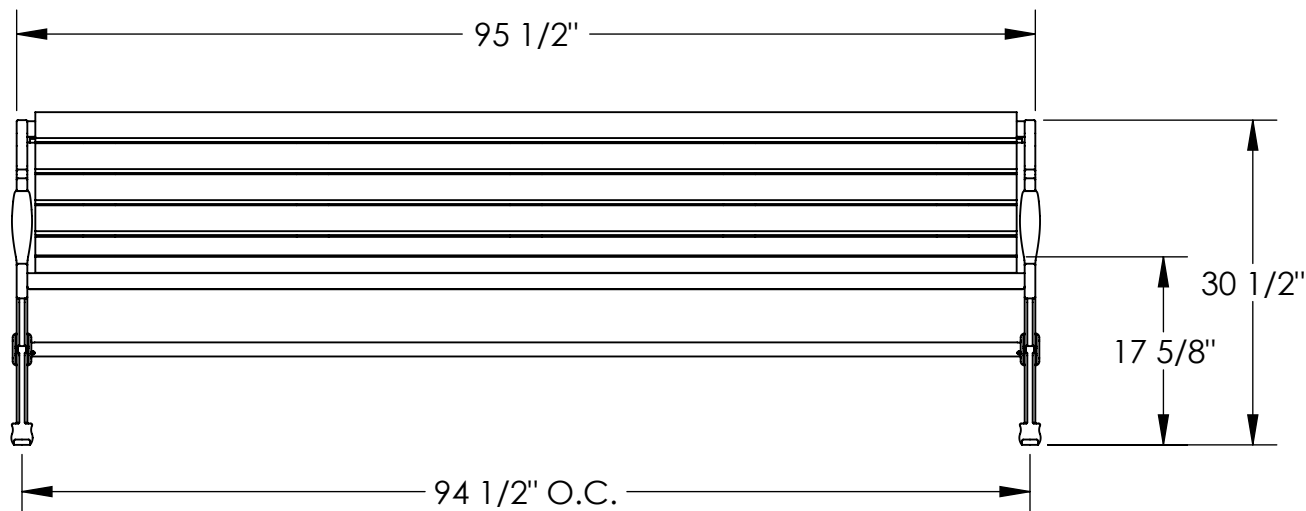
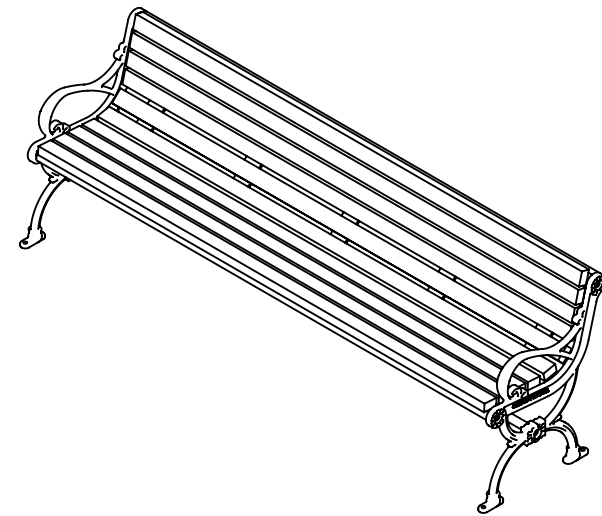
\*Available in powder coat and DuraCoat finishes

### MATERIALS LIST:

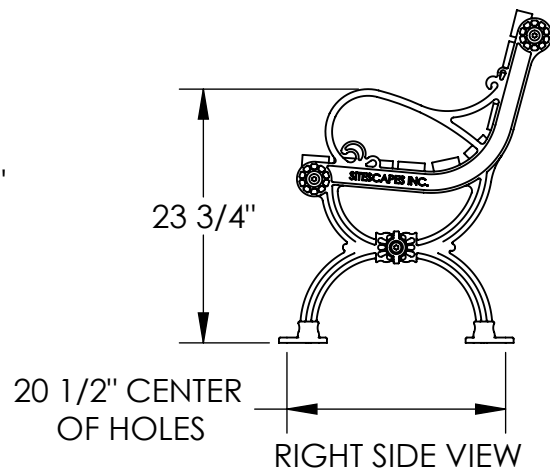
- (1) Seat Slats - 2" x 3" Nominal Ipe
- (2) End Units - 1" Thick Cast Aluminum
- (3) Support Straps - 3/8" Steel Plate
- (4) Support Tube - 1" Sch. 40 Steel Pipe
- (5) Mounted with Four 4"-5" Stainless Steel Anchor Bolts (Customer Supplied)



TOP VIEW



FRONT VIEW



20 1/2" CENTER OF HOLES  
RIGHT SIDE VIEW